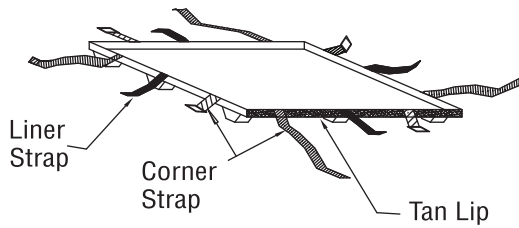
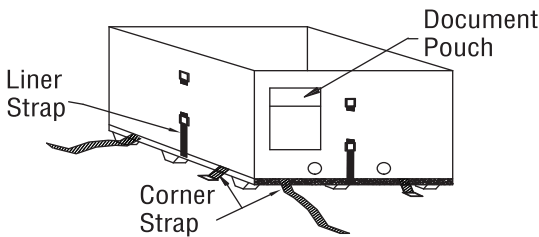


MulePAC Water Box Procedures

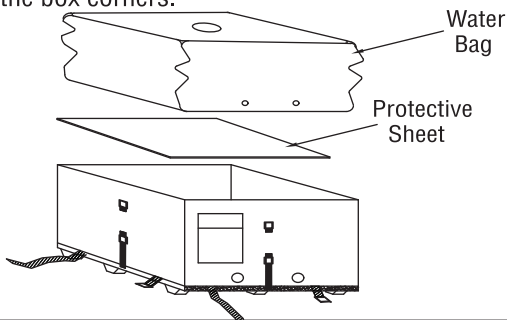
1. BOTTOM TRAY: Begin with feet down, tan lip of tray facing out, and all straps cleared away from tray liner channel.



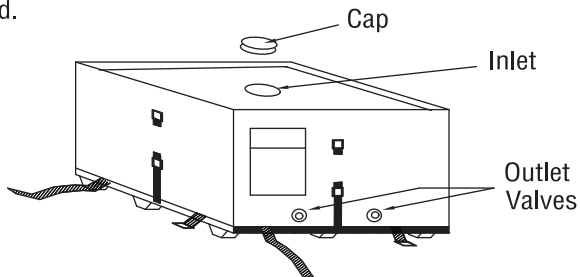
2. LINER: With Document Pouch above tan lip of tray, attach liner to tray with all four 1.5" liner straps, while making sure both liners (inside and outside) are fully seated in the tray liner channel on all sides.



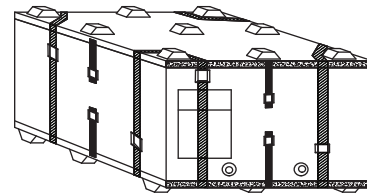
3. WATER BAG: Use Standard Potable Water Procedures for cleaning Water Bag Prior to use. Place 10mm plastic protective sheet on tray deck. Place clean empty water bag on top of protective sheet with 3/4" outlet valves aligned with 2 liner holes on front (Document Pouch) side, with 6" inlet cap facing up, and with the 4 bag corners aligned with the box corners.



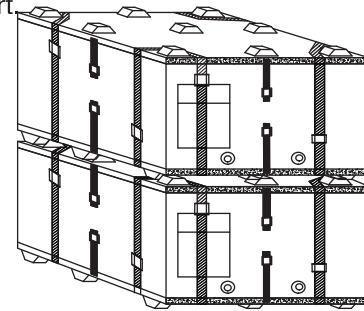
4. Fill: Close outlet valves, remove inlet cap and begin filling with Potable Water. While filling (first 1-2" of water) insure the bag corners are aligned with the box corners and the bag bottom wrinkles are removed.



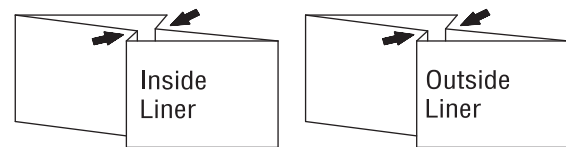
5. TOP TRAY: With tray feet up rotate tray so tan lip is over document pouch. Insure that all straps are outside the liner and that both liners are fully seated in the tray liner channel before fastening the 1.5" liner straps and 2" corner straps. Look through tray slots to ensure both liners are fully seated in the top and bottom tray liner channel on all sides. Re-tighten all straps.



6. STACKING: Align document pouches and tan lips of trays when stacking. Always position the heavier load on bottom, especially during transport.



7. COLLAPSE WATERBOX: Unfasten all straps, remove top tray, separate inside and outside liners and push side hinges inward to collapse.



8. STORE COLLAPSED WATER BOXES IN SETS OF 8: Nest 12 trays on bottom with feet facing down and all straps tucked between trays. [Use care to position strap buckles on tray deck, rather than in tray foot holes, as this would cause the stack to be uneven.] Put 7 collapsed liners (inside and outside) on top of the tray stack. Put 2 nested trays with feet facing up and straps tucked between the trays on top of the collapsed liners. Place 8 protective sheets and 8 empty water bags inside the 8th Water Box. Fasten all straps and stack it on top of the 7 collapsed Water Box trays and liners. Secure the stack with ratchet straps.

